

**ADJUSTABLE
ARM MOUNT**

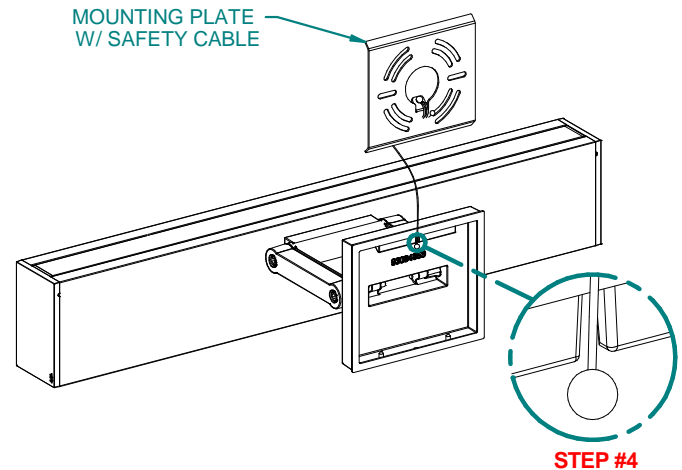
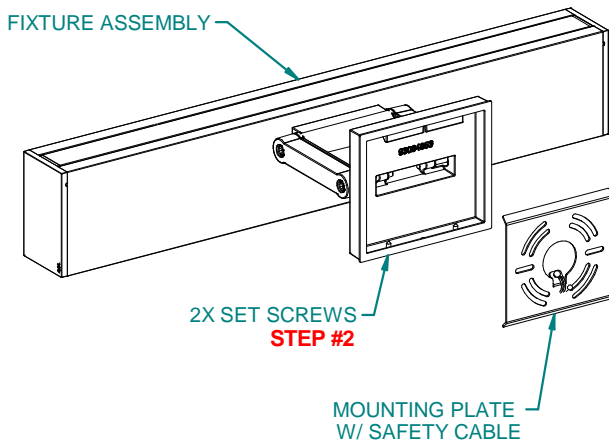
Fixture: RN-D / RN-UD PURSUIT™



WARNING: Fixtures must be grounded in accordance with local codes or the National Electrical Code. Failure to do so may result in serious personal injury.

MAINTENANCE: A regularly scheduled maintenance program should be established to retain optimum light output and reduce heat retention. Dusting with a soft, clean, dry cloth is normally sufficient for the optics.

CAUTION: All wiring must be done by a qualified electrician. KEEP THE INSTRUCTIONS FOR FUTURE REFERENCE.



STEPS:

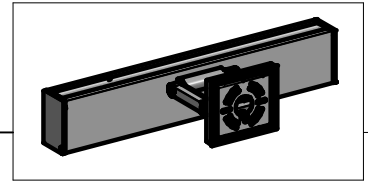
- 1) Turn off power to the unit and take proper safety precautions.
- 2) Remove mounting plate(s) from the fixture assembly.
Loosen (2) x 8-32 set screws with 5/64" Allen in the arm cover to access the mounting plate.
- 3) Secure the mounting plate to the wall using proper hardware (by others) depending on the wall material.
- 4) Hook up the safety cables to the fixture arm and let the fixture hang to free up your hands.
- 5) Wire fixture to the incoming lines per local code and tuck the wires into the J-box.
- 6) Install the arm cover over the mounting plate and secure with (2) x 8-32 screws. **Note: For 3ft, 4ft, 6ft & 8ft fixture, Repeat step 2 - 6 for the other arm.**
- 7) Check for mounting security and turn on power to check for operation.
- 8) Installation complete.

TO ADJUST FIXTURE / ARM:

- A1)** Loosen 1/4-20 hex head cap screws with 3/16 Allen wrench on 4 places and adjust to desire position.
- A2)** Hand tight the hardware for a secure fit.

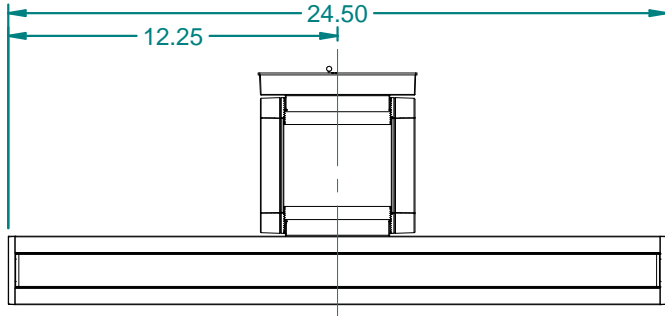
RECOMMENDED TOOL'S (BY OTHERS):

- * Allen wrench 5/64 & 3/16
- * Drill
Drill bit (pending mounting hardware size)
- * Level
- * Tape measure
- * Screw driver (Philip / Blade)
- * Wire Striper

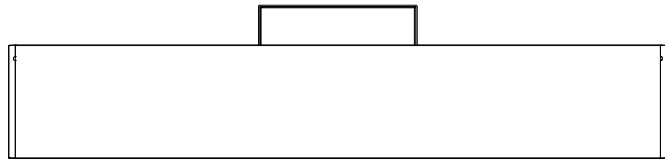


**ADJUSTABLE
ARM MOUNT**

Fixture: RN-D / RN-UD PURSUIT™



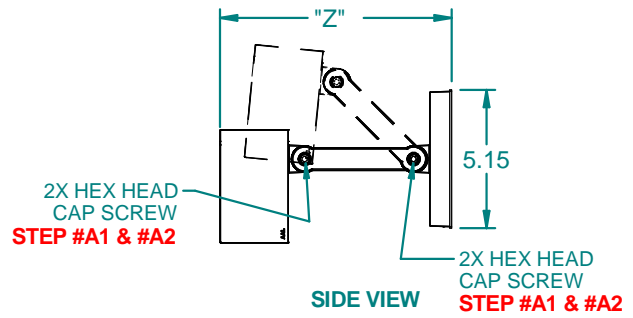
TOP VIEW



FRONT VIEW

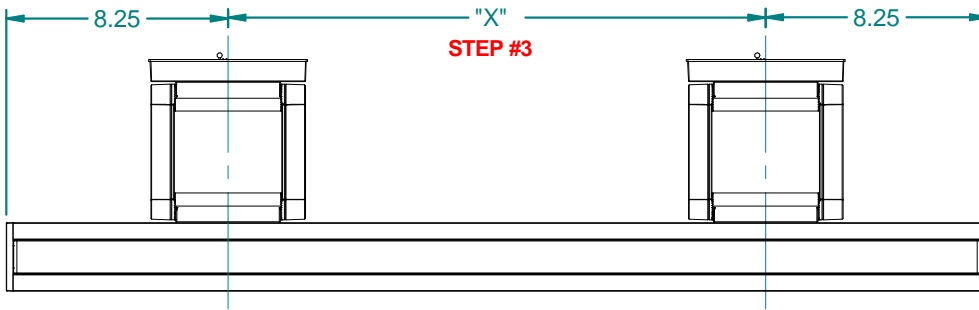
ADJUSTABLE ARM MOUNT

"Z"
5.66"
8.61"
14.61"

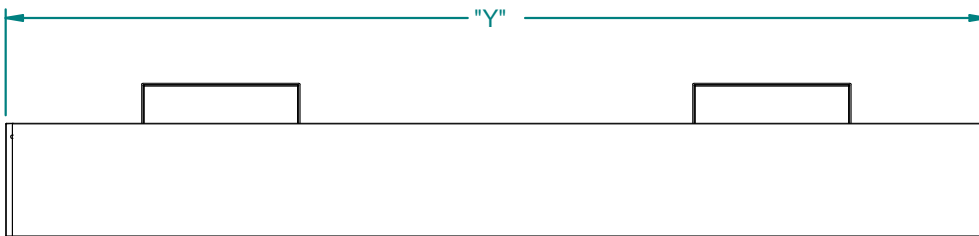


SIDE VIEW

ADJUSTABLE ARM MOUNT 2ft OPTION ONLY

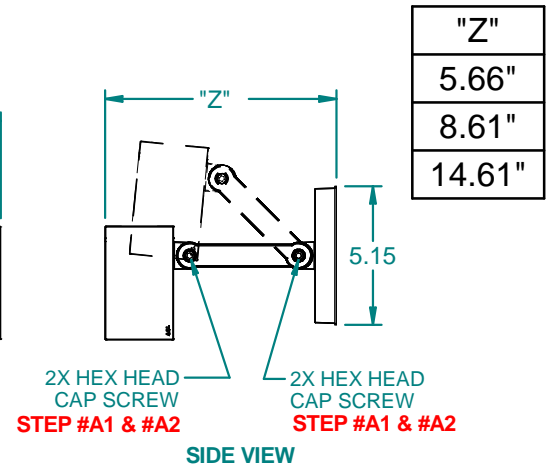


TOP VIEW



FRONT VIEW

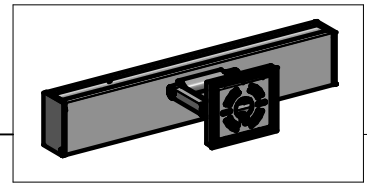
ADJUSTABLE ARM MOUNT		
FIXTURE	"X"	"Y"
3ft	20"	36.50"
4ft	32"	48.50"
6ft	56"	72.50"
8ft	80"	96.50"



SIDE VIEW

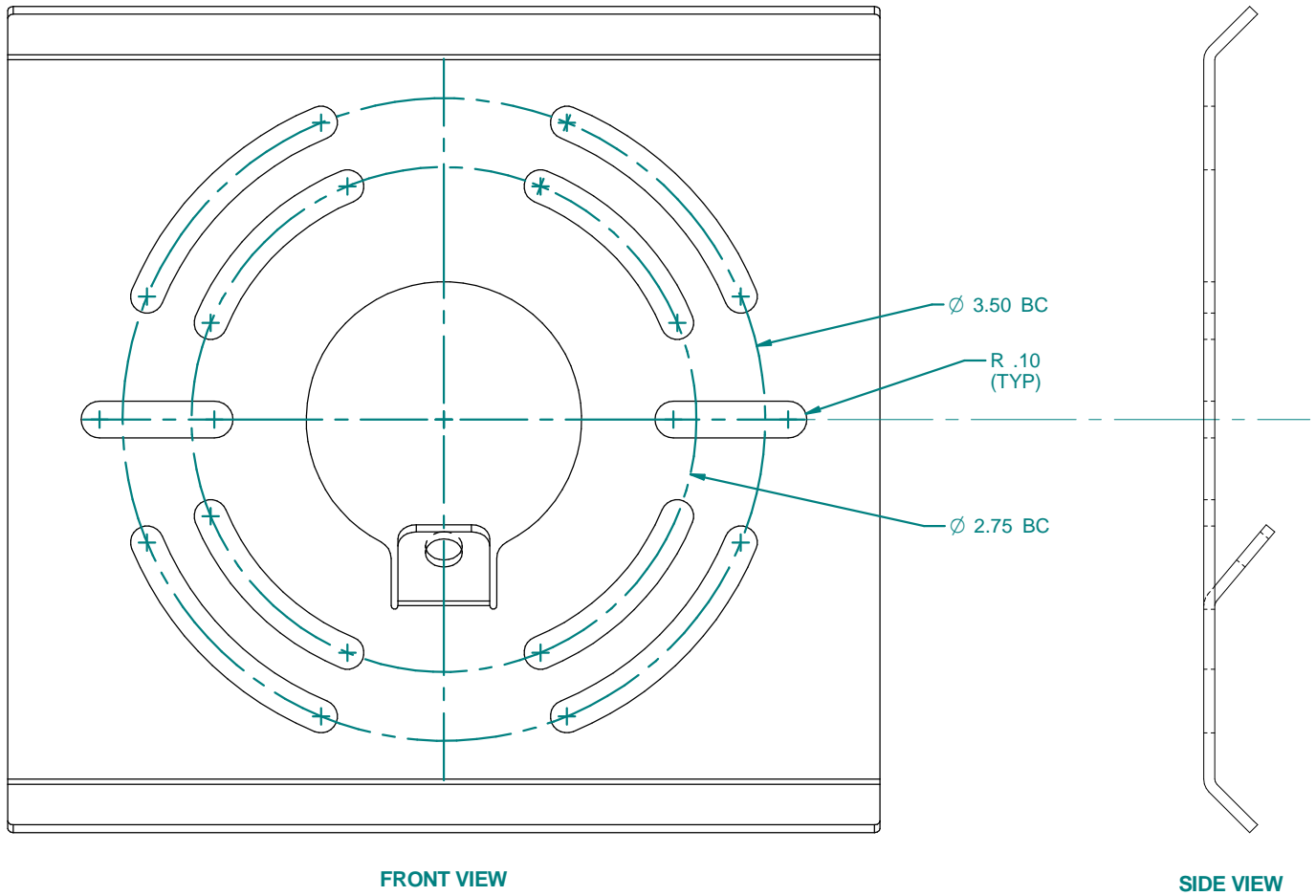
"Z"
5.66"
8.61"
14.61"

ADJUSTABLE ARM MOUNT 3ft, 4ft, 6ft & 8ft OPTIONS



**ADJUSTABLE
ARM MOUNT**

Fixture: RN-D / RN-UD PURSUIT™



**FULL SCALE
MOUNTING PLATE DETAIL
ADJUSTABLE ARM MOUNT OPTION**